

# Thermostatic Steam Trap/Air Vent

## BPT 21 / AV 21

### Description :

Balanced Pressure Thermostatic (BPT) Steam Trap/Air Vent with inbuilt screen.

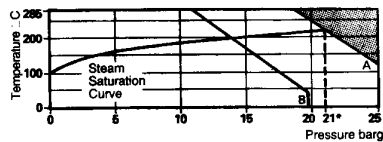
### Sizes and Pipe Connections :

15 NB and 20 NB  
Screwed BSPT/NPT  
Socket weldable Ends.

### Limiting Conditions :

PMA - Max. Allowable pressure 21 bar  
TMA - Max Temperature 285<sup>o</sup> C.  
Cold hydraulic test pressure 42 bar

### Operating range :



- The product must not be used in this region.
- \* PMO -Maximum operating pressure.
- A Screwed, socket weld and flanged end connections BS 4504 PN 25, ANSI 300 and BS 10 table J.
- B - Flanged end connections ANSI 150.

### Materials :

No.	Part	Material
1	Cover	Forged Carbon Steel IS 2004
2	Capsule	Stainless Steel AISI 304
3	Valve Seat	Stainless Steel AISI 304
4	Strainer Screen	Stainless Steel AISI 304
5	Cover Gasket	Compressed Asbestos Fibre
6	Body	Forged Carbon Steel IS 2004
7	Cover Bolts & Nuts	Steel

Available spares are shown overleaf.

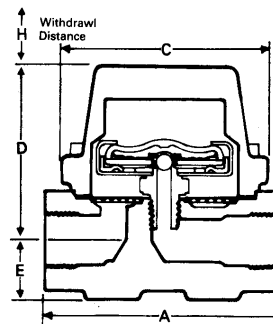
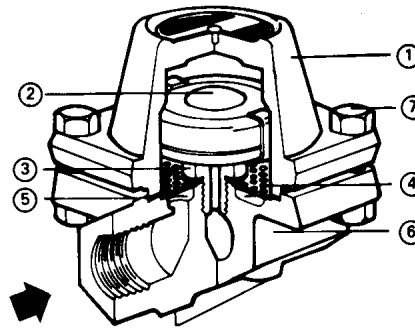
IBR approved BPT 21 can be supplied on request.

### Dimensions : (approx.) mm

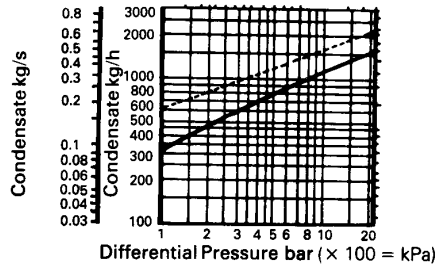
Size	A	C	D	E	H
15 NB	92	80	70	26	40
20 NB	92	80	70	26	40

### Capsule Filling :

As standard the trap is supplied with filling C which will operate approximately 20<sup>o</sup> C. temperature differential.



**Capacities : Chart for BPT 21**



Hot Water Capacity ——— Cold Water Capacity .....

**Available Spares :**

The spare parts available are shown in heavy outline. Parts drawn in broken line are not supplied as spares.

AVAILABLE SPARE	CODE NO.	
Capsule & Seat Assembly	C Fill S 2163360	A
Set State capsule filling	D Fill S 2163370	
Strainer Screen & Gasket Kit	S 2163670	B, C

**How to Order :**

Always order spares by using the description given in the column headed Available Spare and stating the size and type of Steam Trap.

Example : 1 - Capsule & Seat assembly Set for 15 NB BPT 21 Steam Trap C Fill.

